



Andy Beshear
GOVERNOR

TRANSPORTATION CABINET

200 Mero Street
Frankfort, Kentucky 40601

Jim Gray
SECRETARY

February 16, 2024

CALL NO. 107
CONTRACT ID NO. 241303
ADDENDUM # 1

Subject: Union County, STP 0561 (009)
Letting February 22, 2024

- (1) Revised - Wage Rates - Pages 189-201 of 210
- (2) Revised - Plan Sheets - R2B and R2E

Proposal revisions are available at <http://transportation.ky.gov/Construction-Procurement/>.

If you have any questions, please contact us at 502-564-3500.

Sincerely,

Rachel Mills,

A handwritten signature in black ink that reads "Rachel Mills".

Rachel Mills, P.E.
Director
Division of Construction Procurement

RM:mr
Enclosures

"General Decision Number: KY20240040 02/09/2024

Superseded General Decision Number: KY20230040

State: Kentucky

Construction Type: Highway

Counties: Allen, Ballard, Butler, Caldwell, Calloway, Carlisle, Christian, Crittenden, Daviess, Edmonson, Fulton, Graves, Hancock, Henderson, Hickman, Hopkins, Livingston, Logan, Lyon, Marshall, McCracken, McLean, Muhlenberg, Ohio, Simpson, Todd, Trigg, Union, Warren and Webster Counties in Kentucky.

HIGHWAY CONSTRUCTION PROJECTS (excluding tunnels, building structures in rest area projects & railroad construction; bascule, suspension & spandrel arch bridges designed for commercial navigation, bridges involving marine construction; and other major bridges).

Note: Contracts subject to the Davis-Bacon Act are generally required to pay at least the applicable minimum wage rate required under Executive Order 14026 or Executive Order 13658. Please note that these Executive Orders apply to covered contracts entered into by the federal government that are subject to the Davis-Bacon Act itself, but do not apply to contracts subject only to the Davis-Bacon Related Acts, including those set forth at 29 CFR 5.1(a)(1).

<p>If the contract is entered into on or after January 30, 2022, or the contract is renewed or extended (e.g., an option is exercised) on or after January 30, 2022:</p>	<ul style="list-style-type: none"> . Executive Order 14026 generally applies to the contract. . The contractor must pay all covered workers at least \$17.20 per hour (or the applicable wage rate listed on this wage determination, if it is higher) for all hours spent performing on the contract in 2024.
<p>If the contract was awarded on or between January 1, 2015 and January 29, 2022, and the contract is not renewed or extended on or after January 30, 2022:</p>	<ul style="list-style-type: none"> . Executive Order 13658 generally applies to the contract. . The contractor must pay all covered workers at least \$12.90 per hour (or the applicable wage rate listed on this wage determination, if it is higher) for all hours spent performing on that contract in 2024.

The applicable Executive Order minimum wage rate will be adjusted annually. If this contract is covered by one of the Executive Orders and a classification considered necessary for performance of work on the contract does not appear on this wage determination, the contractor must still submit a conformance request.

UNION COUNTY
 STP 0561 (009)

Additional information on contractor requirements and worker protections under the Executive Orders is available at <http://www.dol.gov/whd/govcontracts>.

Modification Number	Publication Date
0	01/05/2024
1	02/09/2024

BRIN0004-002 06/01/2023

BALLARD, BUTLER, CALDWELL, CARLISLE, CRITTENDEN, DAVIESS, EDMONSON, FULTON, GRAVES, HANCOCK, HENDERSON, HICKMAN, HOPKINS, LIVINGSTON, LYON, MARSHALL, MCCRACKEN, MCLEAN, MUHLENBERG, OHIO, UNION, and WEBSTER COUNTIES

	Rates	Fringes
BRICKLAYER		
Ballard, Caldwell, Carlisle, Crittenden, Fulton, Graves, Hickman, Livingston, Lyon, Marshall, and McCracken Counties.....	\$ 34.17	19.60
Butler, Edmonson, Hopkins, Muhlenberg, and Ohio Counties.....	\$ 32.28	15.95
Daviess, Hancock, Henderson, McLean, Union, and Webster Counties.....	\$ 34.17	19.60

 BRTN0004-005 06/01/2023

ALLEN, CALLOWAY, CHRISTIAN, LOGAN, SIMPSON, TODD, TRIGG, and WARREN COUNTIES

	Rates	Fringes
BRICKLAYER.....	\$ 32.28	15.95

 CARP0357-002 04/01/2023

	Rates	Fringes
CARPENTER.....	\$ 31.81	22.86
DIVER.....	\$ 48.09	22.86
PILEDRIVERMAN.....	\$ 32.06	22.86

 ELEC0369-006 06/01/2022

BUTLER, EDMONSON, LOGAN, TODD & WARREN COUNTIES:

	Rates	Fringes
ELECTRICIAN.....	\$ 34.60	19.57

 ELEC0429-001 06/01/2022

ALLEN & SIMPSON COUNTIES:

Rates	Fringes
-------	---------

UNION COUNTY
 STP 0561 (009)

ELECTRICIAN.....\$ 31.55 14.08

 ELEC0816-002 07/01/2023

BALLARD, CALDWELL, CALLOWAY, CARLISLE, CHRISTIAN, CRITTENDEN,
 FULTON (Except a 5 mile radius of City Hall in Fulton), GRAVES,
 HICKMAN, LIVINGSTON, LYON, MARSHALL, MCCRACKEN & TRIGG COUNTIES:

Rates Fringes

ELECTRICIAN.....\$ 34.94 28%+8.35

Cable spicers receive \$.25 per hour additional.

 ELEC1701-003 07/01/2023

DAVISS, HANCOCK, HENDERSON, HOPKINS, MCLEAN, MUHLENBERG, OHIO,
 UNION & WEBSTER COUNTIES:

Rates Fringes

ELECTRICIAN.....\$ 35.60 8.35+30.8%

Cable spicers receive \$.25 per hour additional.

 * ELEC1925-002 01/01/2024

FULTON COUNTY (Up to a 5 mile radius of City Hall in Fulton):

Rates Fringes

CABLE SPLICER.....\$ 28.20 15.27
 ELECTRICIAN.....\$ 27.95 15.26

 ENGI0181-017 07/01/2023

Rates Fringes

POWER EQUIPMENT OPERATOR
 GROUP 1.....\$ 38.55 18.60
 GROUP 2.....\$ 35.69 18.60
 GROUP 3.....\$ 36.14 18.60
 GROUP 4.....\$ 35.37 18.60

OPERATING ENGINEER CLASSIFICATIONS

GROUP 1 - A-Frame Winch Truck; Auto Patrol; Backfiller;
 Batcher Plant; Bituminous Paver; Bituminous Transfer
 Machine; Boom Cat; Bulldozer; Mechanic; Cableway; Carry-All
 Scoop; Carry Deck Crane; Central Compressor Plant; Cherry
 Picker; Clamshell; Concrete Mixer (21 cu. ft. or Over);
 Concrete Paver; Truck-Mounted Concrete Pump; Core Drill;
 Crane; Crusher Plant; Derrick; Derrick Boat; Ditching &
 Trenching Machine; Dragline; Dredge Operator; Dredge
 Engineer; Elevating Grader & Loaders; Grade-All; Gurrries;
 Heavy Equipment Robotics Operator/Mechanic; High Lift;
 Hoe-Type Machine; Hoist (Two or More Drums); Hoisting
 Engine (Two or More Drums); Horizontal Directional Drill
 Operator; Hydrocrane; Hyster; KeCal Loader; LeTourneau;
 Locomotive; Mechanic; Mechanically Operated Laser Screed;
 Mechanic Welder; Mucking Machine; Motor Scraper; Orangepeel
 Bucket; Overhead Crane; Piledriver; Power Blade; Pumpcrete;

UNION COUNTY
 STP 0561 (009)

Dozer; Rock Spreader, attached to equipment; Rotary Drill; Roller (Bituminous); Rough Terrain Crane; Scarifier; Scoopmobile; Shovel; Side Boom; Subgrader; Tailboom; Telescoping Type Forklift; Tow or Push Boat; Tower Crane (French, German & other types); Tractor Shovel; Truck Crane; Tunnel Mining Machines, including Moles, Shields or similar types of Tunnel Mining Equipment

GROUP 2 - Air Compressor (Over 900 cu. ft. per min.); Bituminous Mixer; Boom Type Tamping Machine; Bull Float; Concrete Mixer (Under 21 cu. ft.); Dredge Engineer; Electric Vibrator; Compactor/Self-Propelled Compactor; Elevator (One Drum or Buck Hoist); Elevator (When used to Hoist Building Material); Finish Machine; Firemen & Hoist (One Drum); Flexplane; Forklift (Regardless of Lift Height); Form Grader; Joint Sealing Machine; Outboard Motor Boat; Power Sweeper (Riding Type); Roller (Rock); Ross Carrier; Skid Mounted or Trailer Mounted Concrete Pump; Skid Steer Machine with all Attachments; Switchman or Brakeman; Throttle Valve Person; Tractair & Road Widening Trencher; Tractor (50 H.P. or Over); Truck Crane Oiler; Tugger; Welding Machine; Well Points;& Whirley Oiler

GROUP 3 -All Off Road Material Handling Equipment, including Articulating Dump Trucks; Greaser on Grease Facilities servicing Heavy Equipment

GROUP 4 - Bituminous Distributor; Burlap & Curing Machine; Cement Gun; Concrete Saw; Conveyor; Deckhand Oiler; Grout Pump; Hydraulic Post Driver; Hydro Seeder; Mud Jack; Oiler; Paving Joint Machine; Power Form Handling Equipment; Pump; Roller (Earth); Steerman; Tamping Machine; Tractor (Under 50 H.P.); & Vibrator

CRANES - with booms 150 ft. & Over (Including JIB), and where the length of the boom in combination with the length of the piling equals or exceeds 150 ft. - \$1.00 above Group 1 rate

EMPLOYEES ASSIGNED TO WORK BELOW GROUND LEVEL ARE TO BE PAID 10% ABOVE BASIC WAGE RATE. THIS DOES NOT APPLY TO OPEN CUT WORK.

 IRON0070-005 06/01/2023

BUTLER COUNTY (Eastern eighth, including the Townships of Decker, Lee & Tilford);
 EDMONSON COUNTY (Northern three-fourths, including the Townships of Asphalt, Bee Spring, Brownsville, Grassland, Huff, Kyrock, Lindseyville, Mammoth Cave, Ollie, Prosperity, Rhoda, Sunfish & Sweden)

Rates Fringes

IRONWORKER

Structural; Ornamental; Reinforcing; Precast Concrete Erectors.....	\$ 32.59	24.50
---	----------	-------

 IRON0103-004 04/01/2023

DAVISS, HANCOCK, HENDERSON, HOPKINS, MCLEAN, OHIO, UNION & WEBSTER COUNTIES

UNION COUNTY

STP 0581009 BUTLER COUNTY (Townships of Aberdeen, Bancock, Casey, Dexterville, Dunbar, Elfie, Gilstrap, Huntsville, Logansport, Monford, Morgantown, Provo, Rochester, South Hill & Welchs Creek);
 CALDWELL COUNTY (Northeastern third, including the Township of Creswell);
 CHRISTIAN COUNTY (Northern third, including the Townships of Apex, Crofton, Kelly, Mannington & Wynns);
 CRITTENDEN COUNTY (Northeastern half, including the Townships of Grove, Mattoon, Repton, Shady Grove & Tribune);
 MUHLENBERG COUNTY (Townships of Bavier, Beech Creek Junction, Benton, Brennen, Browder, Central City, Cleaton, Depoy, Drakesboro, Eunis, Graham, Hillside, Luzerne, Lynn City, Martwick, McNary, Millport, Moorman, Nelson, Paradise, Powderly, South Carrollton, Tarina & Weir)

	Rates	Fringes
Ironworkers:.....	\$ 31.99	26.20

IRON0492-003 05/01/2023		

ALLEN, LOGAN, SIMPSON, TODD & WARREN COUNTIES
 BUTLER COUNTY (Southern third, including the Townships of Boston, Berrys Lick, Dimple, Jetson, Quality, Sharer, Sugar Grove & Woodbury);
 CHRISTIAN COUNTY (Eastern two-thirds, including the Townships of Bennettstown, Casky, Herndon, Hopkinsville, Howell, Masonville, Pembroke & Thompsonville);
 EDMONSON COUNTY (Southern fourth, including the Townships of Chalybeate & Rocky Hill);
 MUHLENBERG COUNTY (Southern eighth, including the Townships of Dunnior, Penrod & Rosewood)

	Rates	Fringes
Ironworkers:.....	\$ 32.53	17.23

IRON0782-006 08/01/2023		

BALLARD, CALLOWAY, CARLISLE, FULTON, GRAVES, HICKMAN, LIVINGSTON, LYON, MARSHALL, MCCRACKEN & TRIGG COUNTIES
 CALDWELL COUNTY (Southwestern two-thirds, including the Townships of Cedar Bluff, Cider, Claxton, Cobb, Crowtown, Dulaney, Farmersville, Fredonia, McGowan, Otter Pond & Princeton);
 CHRISTIAN COUNTY (Western third, Excluding the Townships of Apex, Crofton, Kelly, Mannington, Wynns, Bennettstown, Casky, Herndon, Hopkinsville, Howell, Masonville, Pembroke & Thompsonville);
 CRITTENDEN COUNTY (Southwestern half, including the Townships of Crayne, Dycusburg, Frances, Marion, Mexico, Midway, Sheridan & Told)

	Rates	Fringes
Ironworkers:		
Projects with a total contract cost of \$20,000,000.00 or above.....	\$ 34.75	25.52
All Other Work.....	\$ 33.01	25.52

BALLARD, CALLOWAY, CARLISLE, FULTON, GRAVES, HICKMAN,
 LIVINGSTON, LYON, MARSHALL & MCCRACKEN COUNTIES

	Rates	Fringes
Laborers:		
GROUP 1.....	\$ 23.96	17.57
GROUP 2.....	\$ 24.21	17.57
GROUP 3.....	\$ 24.26	17.57
GROUP 4.....	\$ 24.86	17.57

LABORER CLASSIFICATIONS

GROUP 1 - Aging & Curing of Concrete; Asbestos Abatement Worker; Asphalt Plant; Asphalt; Batch Truck Dump; Carpenter Tender; Cement Mason Tender; Cleaning of Machines; Concrete; Demolition; Dredging; Environmental - Nuclear, Radiation, Toxic & Hazardous Waste - Level D; Flagperson; Grade Checker; Hand Digging & Hand Back Filling; Highway Marker Placer; Landscaping, Mesh Handler & Placer; Puddler; Railroad; Rip-rap & Grouter; Right-of-Way; Sign, Guard Rail & Fence Installer; Signal Person; Sound Barrier Installer; Storm & Sanitary Sewer; Swamper; Truck Spotter & Dumper; Wrecking of Concrete Forms; General Cleanup

GROUP 2 - Batter Board Man (Sanitary & Storm Sewer); Brickmason Tender; Mortar Mixer Operator; Scaffold Builder; Burner & Welder; Bushhammer; Chain Saw Operator; Concrete Saw Operator; Deckhand Scow Man; Dry Cement Handler; Environmental - Nuclear, Radiation, Toxic & Hazardous Waste - Level C; Forklift Operator for Masonary; Form Setter; Green Concrete Cutting; Hand Operated Grouter & Grinder Machine Operator; Jackhammer; Pavement Breaker; Paving Joint Machine; Pipelayer; Plastic Pipe Fusion; Power Driven Georgia Buggy & Wheel Barrow; Power Post Hole Digger; Precast Manhole Setter; Walk-Behind Tamper; Walk-Behind Trencher; Sand Blaster; Concrete Chipper; Surface Grinder; Vibrator Operator; Wagon Driller

GROUP 3 - Asphalt Luteman & Raker; Gunnite Nozzleman; Gunnite Operator & Mixer; Grout Pump Operator; Blaster; Side Rail Setter; Rail Paved Ditches; Screw Operator; Tunnel (Free Air); Water Blaster

GROUP 4 - Caisson Worker (Free Air); Cement Finisher; Environmental - Nuclear, Radiation, Toxic & Hazardous Waste - Levels A & B; Miner & Driller (Free Air); Tunnel Blaster; & Tunnel Mucker (Free Air); Directional & Horizontal Boring; Air Track Drillers (All Types); Powdermen & Blasters; Troxler & Concrete Tester if Laborer is Utilized

 LAB00189-006 07/01/2023

ALLEN, BUTLER, CALDWELL, CHRISTIAN, DAVIESS, EDMONSON, HANCOCK,
 HOPKINS, LOGAN, MCLEAN, MUHLENBERG, OHIO, SIMPSON, TODD, TRIGG
 & WARREN COUNTIES

	Rates	Fringes
Laborers:		

UNION COUNTY

STP 0561 (009) GROUP 1.....	\$ 23.96	17.57
GROUP 2.....	\$ 24.26	17.57
GROUP 3.....	\$ 24.21	17.57
GROUP 4.....	\$ 24.86	17.57

LABORER CLASSIFICATIONS

GROUP 1 - Aging & Curing of Concrete; Asbestos Abatement Worker; Asphalt Plant; Asphalt; Batch Truck Dump; Carpenter Tender; Cement Mason Tender; Cleaning of Machines; Concrete; Demolition; Dredging; Environmental - Nuclear, Radiation, Toxic & Hazardous Waste - Level D; Flagperson; Grade Checker; Hand Digging & Hand Back Filling; Highway Marker Placer; Landscaping, Mesh Handler & Placer; Puddler; Railroad; Rip-rap & Grouter; Right-of-Way; Sign, Guard Rail & Fence Installer; Signal Person; Sound Barrier Installer; Storm & Sanitary Sewer; Swamper; Truck Spotter & Dumper; Wrecking of Concrete Forms; General Cleanup

GROUP 2 - Batter Board Man (Sanitary & Storm Sewer); Brickmason Tender; Mortar Mixer Operator; Scaffold Builder; Burner & Welder; Bushhammer; Chain Saw Operator; Concrete Saw Operator; Deckhand Scow Man; Dry Cement Handler; Environmental - Nuclear, Radiation, Toxic & Hazardous Waste - Level C; Forklift Operator for Masonary; Form Setter; Green Concrete Cutting; Hand Operated Grouter & Grinder Machine Operator; Jackhammer; Pavement Breaker; Paving Joint Machine; Pipelayer; Plastic Pipe Fusion; Power Driven Georgia Buggy & Wheel Barrow; Power Post Hole Digger; Precast Manhole Setter; Walk-Behind Tamper; Walk-Behind Trencher; Sand Blaster; Concrete Chipper; Surface Grinder; Vibrator Operator; Wagon Driller

GROUP 3 - Asphalt Luteman & Raker; Gunnite Nozzleman; Gunnite Operator & Mixer; Grout Pump Operator; Blaster; Side Rail Setter; Rail Paved Ditches; Screw Operator; Tunnel (Free Air); Water Blaster

GROUP 4 - Caisson Worker (Free Air); Cement Finisher; Environmental - Nuclear, Radiation, Toxic & Hazardous Waste - Levels A & B; Miner & Driller (Free Air); Tunnel Blaster; & Tunnel Mucker (Free Air); Directional & Horizontal Boring; Air Track Drillers (All Types); Powdermen & Blasters; Troxler & Concrete Tester if Laborer is Utilized

 LAB00561-001 07/01/2023

CRITTENDEN, HENDERSON, UNION & WEBSTER COUNTIES

	Rates	Fringes
Laborers:		
GROUP 1.....	\$ 24.81	17.60
GROUP 2.....	\$ 25.06	17.60
GROUP 3.....	\$ 25.11	17.60
GROUP 4.....	\$ 25.71	17.60

LABORER CLASSIFICATIONS

GROUP 1 - Aging & Curing of Concrete; Asbestos Abatement Worker; Asphalt Plant; Asphalt; Batch Truck Dump; Carpenter Tender; Cement Mason Tender; Cleaning of Machines; Concrete; Demolition; Dredging; Environmental - Nuclear, Radiation, Toxic & Hazardous Waste - Level D; Flagperson;

UNION COUNTY

STP 0561 (000) Grade Checker; Hand Digging & Hand Back Filling; Highway Marker Placer; Landscaping, Mesh Handler & Placer; Puddler; Railroad; Rip-rap & Grouter; Right-of-Way; Sign, Guard Rail & Fence Installer; Signal Person; Sound Barrier Installer; Storm & Sanitary Sewer; Swamper; Truck Spotter & Dumper; Wrecking of Concrete Forms; General Cleanup

GROUP 2 - Batter Board Man (Sanitary & Storm Sewer); Brickmason Tender; Mortar Mixer Operator; Scaffold Builder; Burner & Welder; Bushhammer; Chain Saw Operator; Concrete Saw Operator; Deckhand Scow Man; Dry Cement Handler; Environmental - Nuclear, Radiation, Toxic & Hazardous Waste - Level C; Forklift Operator for Masonary; Form Setter; Green Concrete Cutting; Hand Operated Grouter & Grinder Machine Operator; Jackhammer; Pavement Breaker; Paving Joint Machine; Pipelayer; Plastic Pipe Fusion; Power Driven Georgia Buggy & Wheel Barrow; Power Post Hole Digger; Precast Manhole Setter; Walk-Behind Tamper; Walk-Behind Trencher; Sand Blaster; Concrete Chipper; Surface Grinder; Vibrator Operator; Wagon Driller

GROUP 3 - Asphalt Luteman & Raker; Gunnite Nozzleman; Gunnite Operator & Mixer; Grout Pump Operator; Blaster; Side Rail Setter; Rail Paved Ditches; Screw Operator; Tunnel (Free Air); Water Blaster

GROUP 4 - Caisson Worker (Free Air); Cement Finisher; Environmental - Nuclear, Radiation, Toxic & Hazardous Waste - Levels A & B; Miner & Driller (Free Air); Tunnel Blaster; & Tunnel Mucker (Free Air); Directional & Horizontal Boring; Air Track Drillers (All Types); Powdermen & Blasters; Troxler & Concrete Tester if Laborer is Utilized

 PAIN0032-002 09/01/2023

BALLARD COUNTY

	Rates	Fringes
Painters:		
Bridges.....	\$ 36.12	20.97
All Other Work.....	\$ 33.82	20.97

Spray, Blast, Steam, High & Hazardous (Including Lead Abatement) and All Epoxy - \$1.00 Premium

 PAIN0118-003 06/01/2014

EDMONSON COUNTY:

	Rates	Fringes
Painters:		
Brush & Roller.....	\$ 18.50	11.97
Spray, Sandblast, Power Tools, Waterblast & Steam Cleaning.....	\$ 19.50	11.97

 PAIN0156-006 04/01/2023

DAVISS, HANCOCK, HENDERSON, MCLEAN, OHIO, UNION & WEBSTER COUNTIES

Rates Fringes

Painters:

BRIDGES		
GROUP 1.....	\$ 28.45	20.08
GROUP 3.....	\$ 29.45	20.08
GROUP 4.....	\$ 30.70	20.08
ALL OTHER WORK:		
GROUP 1.....	\$ 27.30	20.08
GROUP 2.....	\$ 27.55	20.08
GROUP 3.....	\$ 28.30	20.08
GROUP 4.....	\$ 29.55	20.08

PAINTER CLASSIFICATIONS

GROUP 1 - Brush & Roller

GROUP 2 - Plasterers

GROUP 3 - Spray; Sandblast; Power Tools; Waterblast;
 Steamcleaning; Brush & Roller of Mastics, Creosotes, Kwinch
 Koate & Coal Tar Epoxy

GROUP 4 - Spray of Mastics, Creosotes, Kwinch Koate & Coal
 Tar Epoxy

 PAIN0500-002 06/01/2023

CALDWELL, CALLOWAY, CARLISLE, CHRISTIAN, CRITTENDEN, FULTON,
 GRAVES, HICKMAN, HOPKINS, LIVINGSTON, LYON, MARSHALL, MCCRACKEN
 & TRIGG COUNTIES:

Rates Fringes

Painters:

Bridges.....	\$ 30.00	15.40
All Other Work.....	\$ 23.75	15.40

Waterblasting units with 3500 PSI and above - \$.50 premium
 Spraypainting and all abrasive blasting - \$1.00 premium
 Work 40 ft. and above ground level - \$1.00 premium

 PLUM0184-002 07/01/2023

BALLARD, CALDWELL, CALLOWAY, CARLISLE, CHRISTIAN, CRITTENDEN,
 FULTON, GRAVES, HICKMAN, LIVINGSTON, LYON, MARSHALL, MCCRACKEN
 and TRIGG COUNTIES

Rates Fringes

Plumber; Steamfitter.....	\$ 39.86	18.98
---------------------------	----------	-------

 PLUM0502-004 08/01/2021

ALLEN, BUTLER, EDMONSON, SIMPSON & WARREN

Rates Fringes

Plumber; Steamfitter.....	\$ 38.07	20.78
---------------------------	----------	-------

UNION COUNTY
 STP 056 P (000)
 PLUM0633-002 07/01/2022

DAVISS, HANCOCK, HENDERSON, HOPKINS, LOGAN, MCLEAN,
 MUHLENBERG, OHIO, TODD, UNION & WEBSTER COUNTIES:

	Rates	Fringes
PLUMBER/PIPEFITTER.....	\$ 33.97	19.30

TEAM0089-003 03/31/2023		

ALLEN, BUTLER, EDMONSON, LOGAN, SIMPSON & WARREN COUNTIES

	Rates	Fringes
Truck drivers:		
Zone 1:		
Group 1.....	\$ 23.22	25.56
Group 2.....	\$ 23.40	25.56
Group 3.....	\$ 23.48	25.56
Group 4.....	\$ 23.50	25.56

GROUP 1 - Greaser; Tire Changer

GROUP 2 - Truck Mechanic; Single Axle Dump; Flat Bed; All Terrain Vehicles when used to haul materials; Semi Trailer or Pole Trailer when used to pull building materials and equipment; Tandem Axle Dump; Driver of Distributors

GROUP 3 - Mixer All Types

GROUP 4 - Winch and A-Frame when used in transporting materials; Ross Carrier; Fork Lift when used to transport building materials; Driver on Pavement Breaker; Euclid and Other Heavy Earth Moving Equipment; Low Boy; Articulator Cat; Five Axle Vehicle

 TEAM0215-003 03/31/2023

DAVISS, HANCOCK, HENDERSON, HOPKINS, MCLEAN, MUHLENBERG, OHIO
 & WEBSTER COUNTIES

	Rates	Fringes
TRUCK DRIVER		
Group 1.....	\$ 24.85	25.56
Group 2.....	\$ 25.54	20.95
Group 3.....	\$ 25.15	25.56
Group 4.....	\$ 25.16	25.56

GROUP 1: Greaser, Tire Changer

GROUP 2: Truck Mechanic

GROUP 3: Single Axle Dump; Flat Bed; All Terrain Vehicle when used to haul materials; Semi Trailer or Pole Trailer when used to pull building materials and equipment; Tandem Axle Dump; Driver of Distributors; Mixer All Types

GROUP 4: Euclid and other heavy earth moving equipment; Low Boy; Articulator Cat; 5 Axle Vehicle; Winch and A- Frame when used in transporting materials; Ross Carrier; Fork

UNION COUNTY

STP 0561 (000) when used to transport building materials; Driver on
Pavement Breaker

TEAM0236-001 03/31/2023

BALLARD, CALDWELL, CALLOWAY, CARLISLE, CHRISTIAN, CRITTENDEN,
FULTON, GRAVES, HICKMAN, LIVINGSTON, LYON, MARSHALL,
MCCRACKEN, TODD & TRIGG COUNTIES

	Rates	Fringes
TRUCK DRIVER		
Group 1.....	\$ 23.22	25.56
Group 2.....	\$ 23.40	25.56
Group 3.....	\$ 23.48	25.56
Group 4.....	\$ 23.50	25.56
Group 5.....	\$ 23.50	25.56

GROUP 1: Greaser, Tire Changer

GROUP 2: Truck Mechanic

GROUP 3: Single Axle Dump; Flat Bed; All Terrain Vehicle when
used to haul materials; Semi Trailer or Pole Trailer when
used to pull building materials and equipment; Tandem Axle
Dump; Drivers of Distributors

GROUP 4: Euclid and other heavy earth moving equipment; Low
Boy; Articulator Cat; Five Axle Vehicle; Winch and A-Frame
when used in transporting materials; Ross Carrier

GROUP 5: Mixer All Types

WELDERS - Receive rate prescribed for craft performing
operation to which welding is incidental.

=====
Note: Executive Order (EO) 13706, Establishing Paid Sick Leave
for Federal Contractors applies to all contracts subject to the
Davis-Bacon Act for which the contract is awarded (and any
solicitation was issued) on or after January 1, 2017. If this
contract is covered by the EO, the contractor must provide
employees with 1 hour of paid sick leave for every 30 hours
they work, up to 56 hours of paid sick leave each year.
Employees must be permitted to use paid sick leave for their
own illness, injury or other health-related needs, including
preventive care; to assist a family member (or person who is
like family to the employee) who is ill, injured, or has other
health-related needs, including preventive care; or for reasons
resulting from, or to assist a family member (or person who is
like family to the employee) who is a victim of, domestic
violence, sexual assault, or stalking. Additional information
on contractor requirements and worker protections under the EO
is available at
<https://www.dol.gov/agencies/whd/government-contracts>.

Unlisted classifications needed for work not included within
the scope of the classifications listed may be added after
award only as provided in the labor standards contract clauses
(29CFR 5.5 (a) (1) (iii)).

The body of each wage determination lists the classification and wage rates that have been found to be prevailing for the cited type(s) of construction in the area covered by the wage determination. The classifications are listed in alphabetical order of ""identifiers"" that indicate whether the particular rate is a union rate (current union negotiated rate for local), a survey rate (weighted average rate) or a union average rate (weighted union average rate).

Union Rate Identifiers

A four letter classification abbreviation identifier enclosed in dotted lines beginning with characters other than ""SU"" or ""UAVG"" denotes that the union classification and rate were prevailing for that classification in the survey. Example: PLUM0198-005 07/01/2014. PLUM is an abbreviation identifier of the union which prevailed in the survey for this classification, which in this example would be Plumbers. 0198 indicates the local union number or district council number where applicable, i.e., Plumbers Local 0198. The next number, 005 in the example, is an internal number used in processing the wage determination. 07/01/2014 is the effective date of the most current negotiated rate, which in this example is July 1, 2014.

Union prevailing wage rates are updated to reflect all rate changes in the collective bargaining agreement (CBA) governing this classification and rate.

Survey Rate Identifiers

Classifications listed under the ""SU"" identifier indicate that no one rate prevailed for this classification in the survey and the published rate is derived by computing a weighted average rate based on all the rates reported in the survey for that classification. As this weighted average rate includes all rates reported in the survey, it may include both union and non-union rates. Example: SULA2012-007 5/13/2014. SU indicates the rates are survey rates based on a weighted average calculation of rates and are not majority rates. LA indicates the State of Louisiana. 2012 is the year of survey on which these classifications and rates are based. The next number, 007 in the example, is an internal number used in producing the wage determination. 5/13/2014 indicates the survey completion date for the classifications and rates under that identifier.

Survey wage rates are not updated and remain in effect until a new survey is conducted.

Union Average Rate Identifiers

Classification(s) listed under the UAVG identifier indicate that no single majority rate prevailed for those classifications; however, 100% of the data reported for the classifications was union data. EXAMPLE: UAVG-OH-0010 08/29/2014. UAVG indicates that the rate is a weighted union average rate. OH indicates the state. The next number, 0010 in the example, is an internal number used in producing the wage determination. 08/29/2014 indicates the survey completion date for the classifications and rates under that identifier.

A UAVG rate will be updated once a year, usually in January of each year, to reflect a weighted average of the current negotiated/CBA rate of the union locals from which the rate is based.

WAGE DETERMINATION APPEALS PROCESS

1.) Has there been an initial decision in the matter? This can be:

- * an existing published wage determination
- * a survey underlying a wage determination
- * a Wage and Hour Division letter setting forth a position on a wage determination matter
- * a conformance (additional classification and rate) ruling

On survey related matters, initial contact, including requests for summaries of surveys, should be with the Wage and Hour National Office because National Office has responsibility for the Davis-Bacon survey program. If the response from this initial contact is not satisfactory, then the process described in 2.) and 3.) should be followed.

With regard to any other matter not yet ripe for the formal process described here, initial contact should be with the Branch of Construction Wage Determinations. Write to:

Branch of Construction Wage Determinations
Wage and Hour Division
U.S. Department of Labor
200 Constitution Avenue, N.W.
Washington, DC 20210

2.) If the answer to the question in 1.) is yes, then an interested party (those affected by the action) can request review and reconsideration from the Wage and Hour Administrator (See 29 CFR Part 1.8 and 29 CFR Part 7). Write to:

Wage and Hour Administrator
U.S. Department of Labor
200 Constitution Avenue, N.W.
Washington, DC 20210

The request should be accompanied by a full statement of the interested party's position and by any information (wage payment data, project description, area practice material, etc.) that the requestor considers relevant to the issue.

3.) If the decision of the Administrator is not favorable, an interested party may appeal directly to the Administrative Review Board (formerly the Wage Appeals Board). Write to:

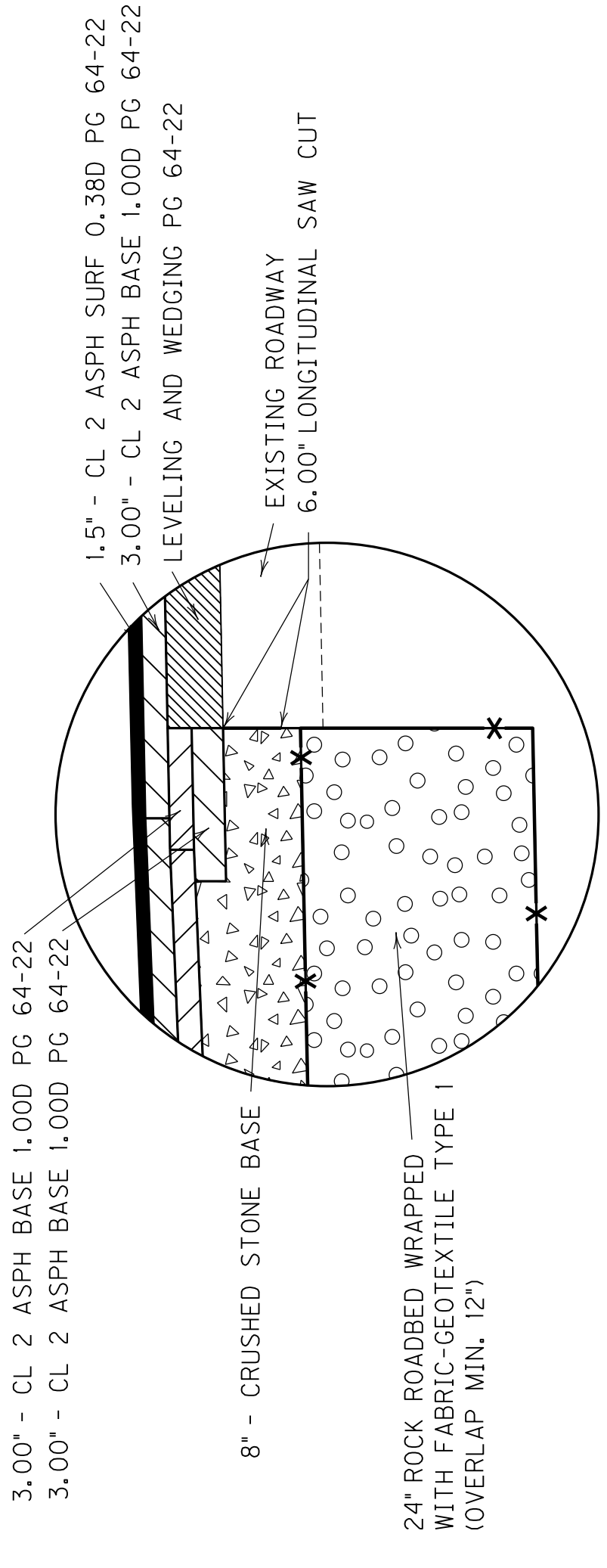
Administrative Review Board
U.S. Department of Labor
200 Constitution Avenue, N.W.
Washington, DC 20210

4.) All decisions by the Administrative Review Board are final.

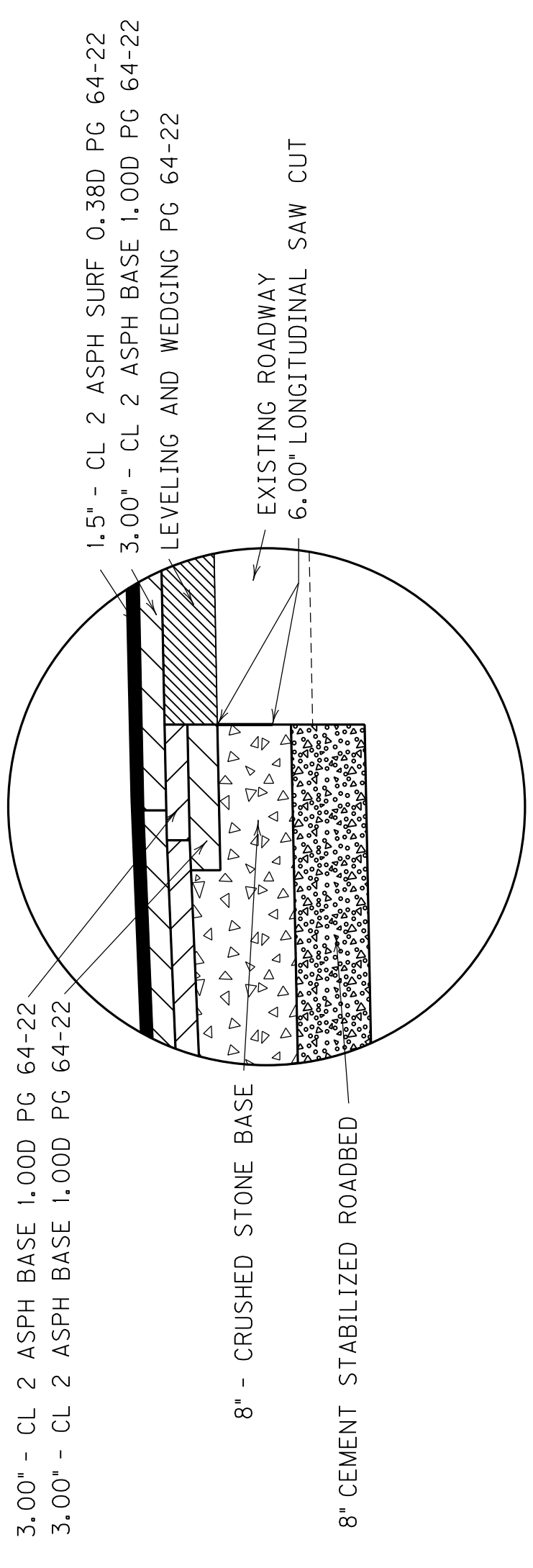
=====
END OF GENERAL DECISION"

TYPICAL SECTIONS KY 56 PAVEMENT DETAILS

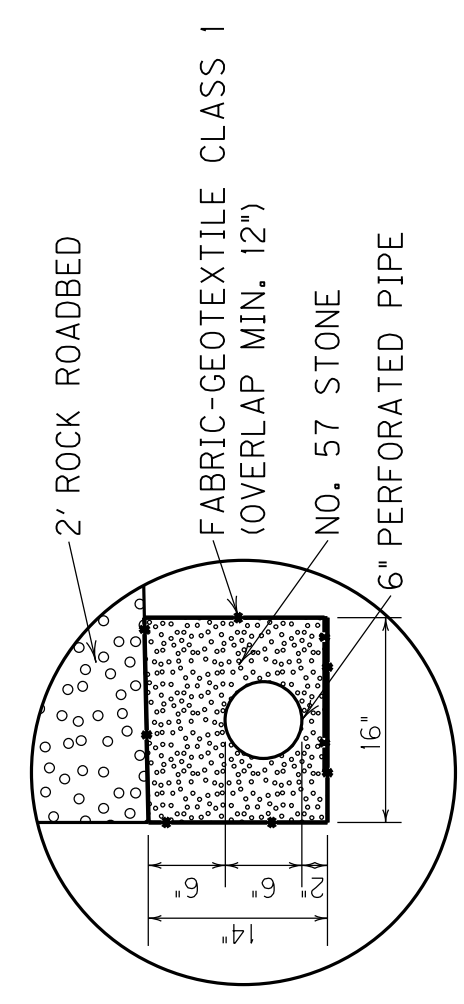
COUNTY OF	ITEM NO.	SHEET NO.
UNION	2-310.21	R2B



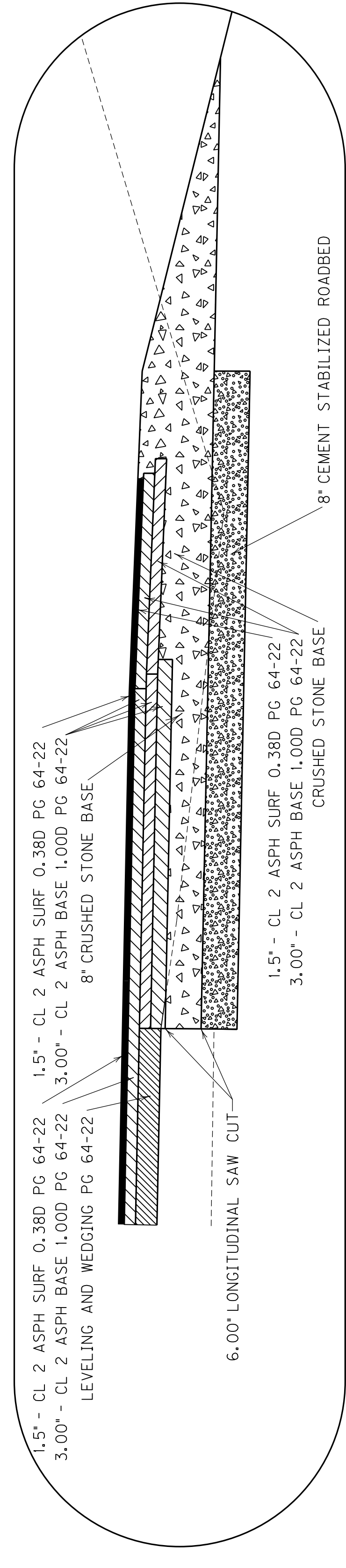
DETAIL 'A' (WITH ROCK ROADBED)



DETAIL 'B' (WITH CEMENT STABILIZED ROADBED)



DETAIL 'E'

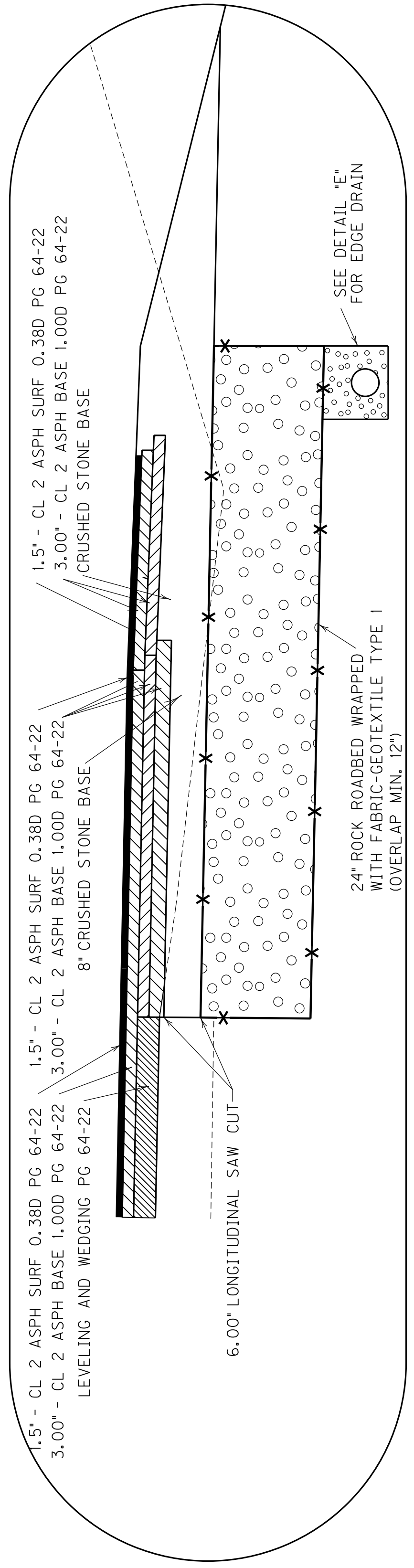


DETAIL 'C' (WITH CEMENT STABILIZED ROADBED)

- LT STA. 36+50 TO LT STA. 44+00
- LT STA. 47+00 TO LT STA. 64+50
- RT STA. 64+50 TO RT STA. 77+50
- LT STA. 77+00 TO LT STA. 109+75
- FULL WIDTH STA. 109+75 TO STA. 114+25
- LT STA. 114+25 TO LT STA. 175+00
- RT STA. 173+00 TO RT STA. 192+00
- LT STA. 187+00 TO LT STA. 198+50
- LT STA. 199+50 TO LT STA. 204+50
- RT STA. 203+00 TO RT STA. 208+50
- LT STA. 207+50 TO LT STA. 230+27.8
- FULL WIDTH STA. 230+27.8 TO STA. 232+75
- LT STA. 232+75 TO LT STA. 238+50
- RT STA. 230+50 TO RT STA. 232+50
- LT STA. 239+50 TO LT STA. 253+25
- FULL WIDTH STA. 253+25 TO STA. 260+75
- LT STA. 260+75 TO STA. 261+50
- LT STA. 261+50 TO RT STA. 270+50
- LT STA. 270+50 TO LT STA. 277+50
- RT STA. 277+00 TO RT STA. 288+25
- FULL WIDTH STA. 288+25 TO STA. 300+25

**PAVEMENT SCHEDULE
OVERLAY, WIDENING & FULL DEPTH**

OVERALL	1.5" - CL 2 ASPH SURF 0.38D PG 64-22 3.00" - CL 2 ASPH BASE 1,000 PG64-22 LEVEL & WEDGE PG64-22 AS RECD
WIDENING	1.5" - CL 2 ASPH SURF 0.38D PG64-22 3.00" - CL 2 ASPH BASE 1,000 PG64-22 3.00" - CL 2 ASPH BASE 1,000 PG64-22 8.00" - CRUSHED STONE BASE (4' + 4')
SHOULDER	1.5" - CL 2 ASPH SURF 0.38D PG64-22 3.00" - CL 2 ASPH BASE 1,000 PG64-22 3.00" - CL 2 ASPH BASE 1,000 PG64-22 FULL DEPTH CRUSHED STONE BASE ASPHALT SEAL REQUIRED FROM OUTSIDE EDGE OF PAVED SHOULDER TO A POINT 2' DOWN THE DITCH OR FILL SLOPE. TWO APPLICATIONS OF THE FOLLOWING: ASPHALT SEAL COAT - 2.4 LB/SY ASPHALT SEAL AGGREGATE - 20 LB/SY (SIZE NO. 8 OR 9M)
SUBGRADE STABILIZATION ALTERNATIVES	24.00" - No 2's, No 3's OR No 23'S WRAPPED IN GEOTEXTILE FABRIC CLASS 1 OR 8.00" - CEMENT STABILIZED ROADBED



DETAIL 'D' (WITH ROCK ROADBED)

- LT STA. 23+00 TO LT STA. 36+50
- RT STA. 23+00 TO RT STA. 40+50
- RT STA. 42+50 TO RT STA. 48+50
- RT STA. 62+50 TO RT STA. 64+50
- LT STA. 64+50 TO LT STA. 66+50
- LT STA. 76+00 TO LT STA. 77+00
- RT STA. 77+50 TO RT STA. 79+00
- RT STA. 116+50 TO RT STA. 117+50
- RT STA. 122+50 TO RT STA. 128+50
- RT STA. 167+50 TO RT STA. 173+00
- LT STA. 198+50 TO LT STA. 199+50
- LT STA. 238+50 TO LT STA. 239+50

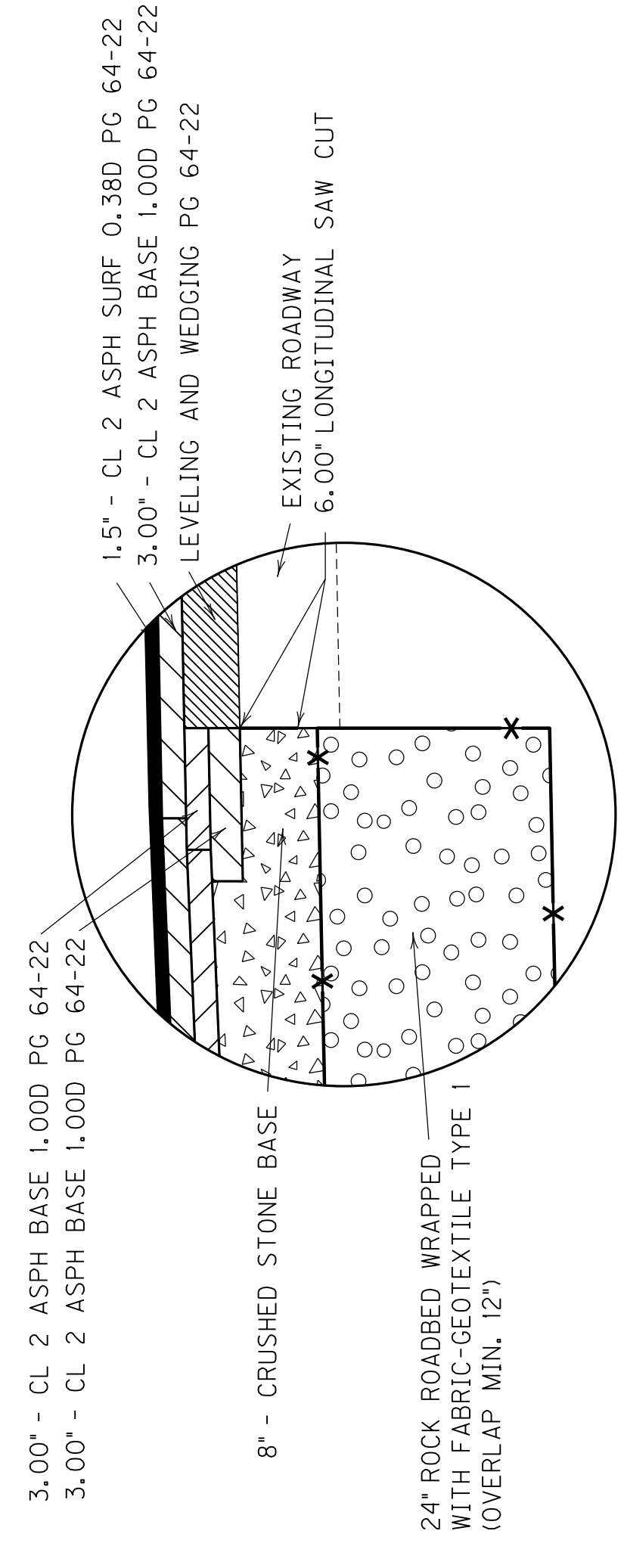
① SEE DETAILS 'C' AND 'D' FOR STATION RANGES AND TYPE OF SUBGRADE STABILIZATION.

NOT TO SCALE

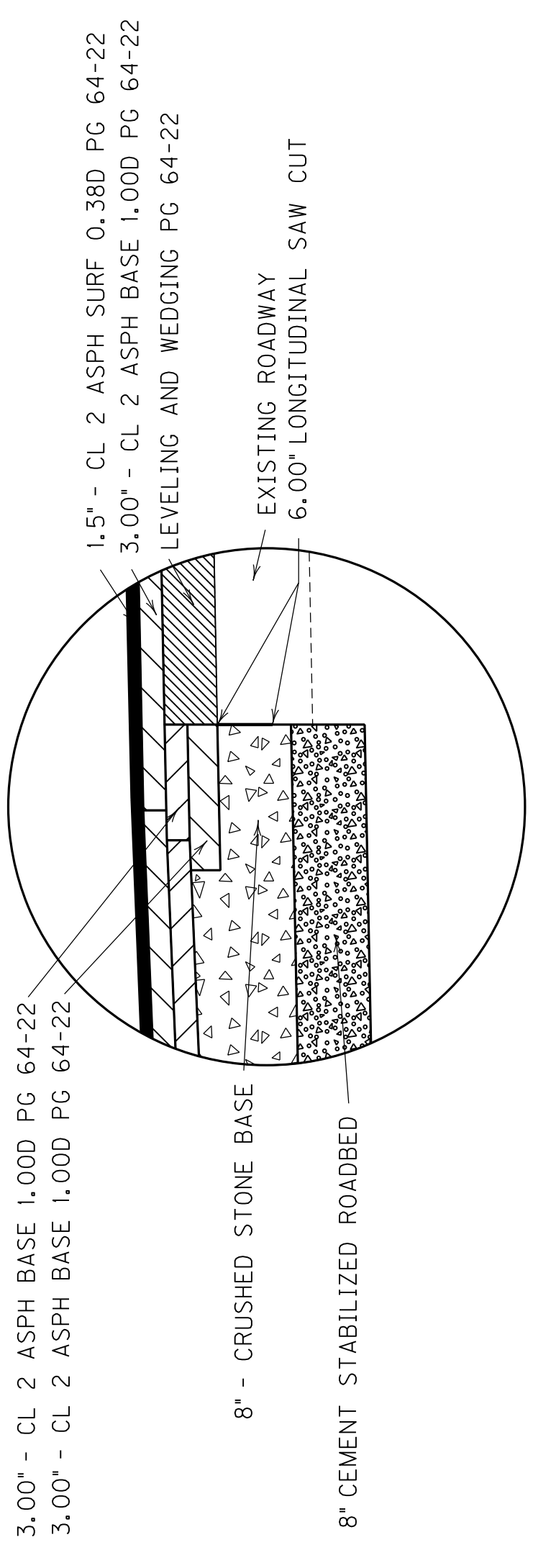
KY 56
TYPICAL SECTIONS

TYPICAL SECTIONS KY 56 PAVEMENT DETAILS

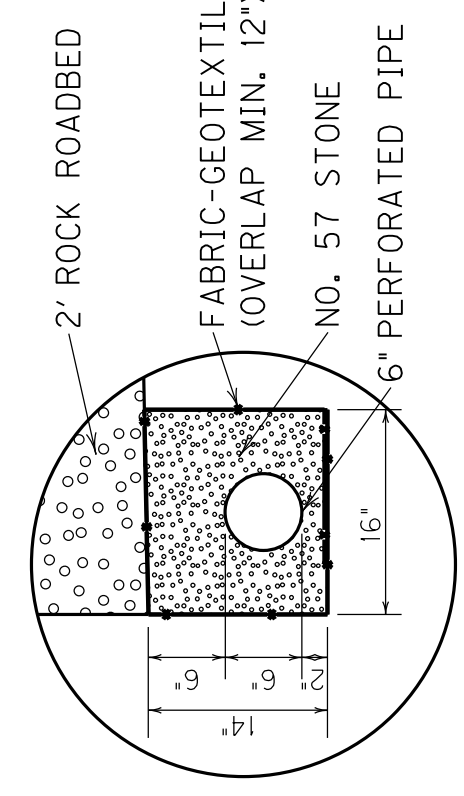
COUNTY OF	ITEM NO.	SHEET NO.
UNION	2-310.21	R2B



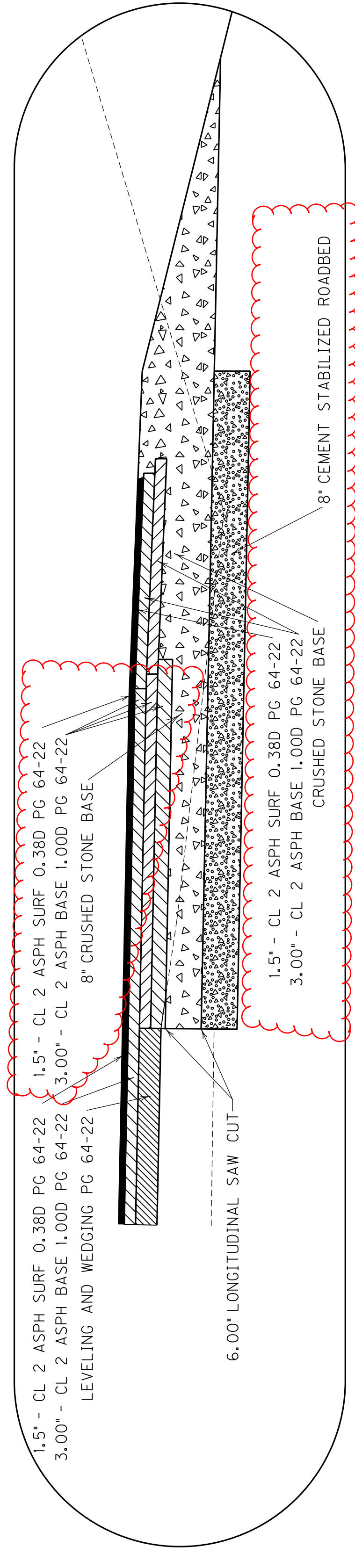
DETAIL 'A' (WITH ROCK ROADBED)



DETAIL 'B' (WITH CEMENT STABILIZED ROADBED)



DETAIL 'E'

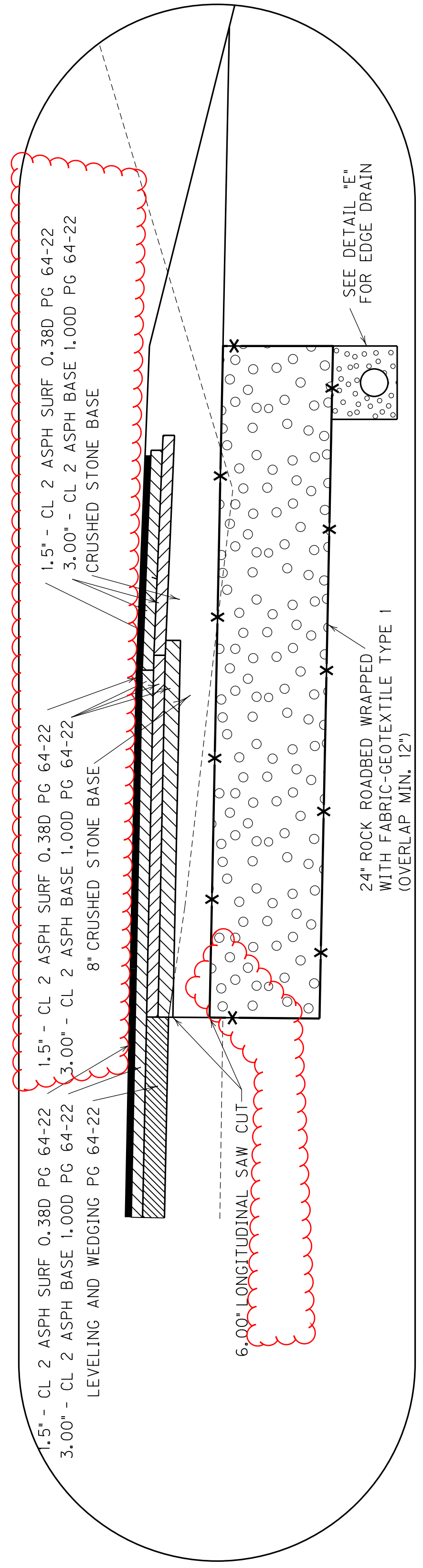


DETAIL 'C' (WITH CEMENT STABILIZED ROADBED)

- LT STA. 36+50 TO LT STA. 44+00
- LT STA. 47+00 TO LT STA. 64+50
- RT STA. 64+50 TO RT STA. 77+50
- LT STA. 77+00 TO LT STA. 109+75
- FULL WIDTH STA. 109+75 TO STA. 114+25
- LT STA. 114+25 TO LT STA. 175+00
- RT STA. 173+00 TO RT STA. 192+00
- LT STA. 187+00 TO LT STA. 198+50
- LT STA. 199+50 TO LT STA. 204+50
- RT STA. 203+00 TO RT STA. 208+50
- LT STA. 207+50 TO LT STA. 230+27.8
- FULL WIDTH STA. 230+27.8 TO STA. 232+75
- LT STA. 232+75 TO LT STA. 238+50
- RT STA. 230+50 TO RT STA. 232+50
- LT STA. 239+50 TO LT STA. 253+25
- FULL WIDTH STA. 253+25 TO STA. 260+75
- LT STA. 260+75 TO STA. 261+50
- RT STA. 261+50 TO RT STA. 270+50
- LT STA. 270+50 TO LT STA. 277+50
- RT STA. 277+00 TO RT STA. 288+25
- FULL WIDTH STA. 288+25 TO STA. 300+25

**PAVEMENT SCHEDULE
OVERLAY, WIDENING & FULL DEPTH**

OVERALL	1.5" - CL 2 ASPH SURF 0.38D PG 64-22 3.00" - CL 2 ASPH BASE 1,000 PG64-22 LEVEL & WEDGE PG64-22 AS REQ
WIDENING	1.5" - CL 2 ASPH SURF 0.38D PG64-22 3.00" - CL 2 ASPH BASE 1,000 PG64-22 3.00" - CL 2 ASPH BASE 1,000 PG64-22 8.00" - CRUSHED STONE BASE (4" + 4")
SHOULDER	1.5" - CL 2 ASPH SURF 0.38D PG64-22 3.00" - CL 2 ASPH BASE 1,000 PG64-22 3.00" - CL 2 ASPH BASE 1,000 PG64-22 FULL DEPTH CRUSHED STONE BASE ASPHALT SEAL REQUIRED FROM OUTSIDE EDGE OF PAVED SHOULDER TO A POINT 2' DOWN THE DITCH OR FILL SLOPE. TWO APPLICATIONS OF THE FOLLOWING: ASPHALT SEAL COAT - 2.4 LB/SY ASPHALT SEAL AGGREGATE - 20 LB/SY (SIZE NO. 8 OR 9M)
SUBGRADE STABILIZATION ALTERNATIVES	24.00" - No 2's, No 3's OR No 23'S WRAPPED IN GEOTEXTILE FABRIC CLASS 1 OR 8.00" - CEMENT STABILIZED ROADBED



DETAIL 'D' (WITH ROCK ROADBED)

- LT STA. 23+00 TO LT STA. 36+50
- RT STA. 23+00 TO RT STA. 40+50
- RT STA. 42+50 TO RT STA. 48+50
- RT STA. 62+50 TO RT STA. 64+50
- LT STA. 64+50 TO LT STA. 66+50
- LT STA. 76+00 TO LT STA. 77+00
- LT STA. 77+50 TO RT STA. 79+00
- RT STA. 116+50 TO RT STA. 117+50
- RT STA. 122+50 TO RT STA. 128+50
- RT STA. 167+50 TO RT STA. 173+00
- LT STA. 198+50 TO LT STA. 199+50
- LT STA. 238+50 TO LT STA. 239+50

① SEE DETAILS 'C' AND 'D' FOR STATION RANGES AND TYPE OF SUBGRADE STABILIZATION.

NOT TO SCALE

KY 56
TYPICAL SECTIONS

GENERAL SUMMARY

COUNTY OF	ITEM NO.	SHEET NO.
UNION	2-310.21	R2E

ITEM	DESCRIPTION	NOTES	UNIT	PROJECT TOTALS
439	ENTRANCE PIPE - 12 IN		LF	43
440	ENTRANCE PIPE - 15 IN		LF	221
441	ENTRANCE PIPE - 18 IN		LF	500
443	ENTRANCE PIPE - 24 IN		LF	57
1004	PERFORATED PIPE - 12 IN		LF	98
1650	JUNCTION BOX		EACH	1
1987	DELINEATOR FOR GUARDRAIL B/W		EACH	83
2014	BARRICADE - TYPE III		EACH	40
2091	REMOVE PAVEMENT		SO YD	2692
2101	CEM CONC ENT PAVEMENT - 8 IN		SO YD	337
2159	TEMP DITCH	8	LF	13943
2160	CLEAN TEMP DITCH	8	LF	6971
2200	ROADWAY EXCAVATION	6	CU YD	182544
2223	GRANULAR EMBANKMENT	11	CU YD	7000
2242	WATER	5	MGAL	12
2360	GUARDRAIL TERMINAL SECTION NO. 1		EACH	7
2367	GUARDRAIL END TREATMENT TYPE 1		EACH	8
2391	GUARDRAIL END TREATMENT TYPE 4A		EACH	5
2429	RIGHT-OF-WAY MONUMENT TYPE 1		EACH	149
2432	WITNESS POST		EACH	149
2475	PLUG WATER WELL	20	EACH	1
2483	CHANNEL LINING CLASS II	12	TON	976
2484	CHANNEL LINING CLASS III	12	TON	63
2545	CLEARING AND GRUBBING	3	LS	1
2562	TEMPORARY SIGNS		SO FT	800
2568	MOBILIZATION		LS	1
2569	DEMOBILIZATION		LS	1
2585	EDGE KEY		LF	294
2602	FABRIC-GEOTEXTILE CLASS 1		SO YD	10074
2607	FABRIC-GEOTEXTILE CLASS 2 FOR PIPE		SO YD	11414
2650	MAINTAIN & CONTROL TRAFFIC		LS	1
2651	DIVERSIONS (BY-PASS DETOURS)	19	LS	1
2671	PORTABLE CHANGEABLE MESSAGE SIGN	14	EACH	6
2676	MOBILIZATION FOR MILL & TEXT		LS	1
2677	ASPHALT PAVE MILLING & TEXTURING		TON	113
2690	SAFELOADING	12	CU YD	38
2701	TEMP SILT FENCE	8	LF	13943
2703	SILT TRAP TYPE A	8	EACH	46
2704	SILT TRAP TYPE B	8	EACH	91
2705	SILT TRAP TYPE C	8	EACH	26
2706	CLEAN SILT TRAP TYPE A	8	EACH	460
2707	CLEAN SILT TRAP TYPE B	8	EACH	910
2708	CLEAN SILT TRAP TYPE C	8	EACH	260
2726	STAKING		LS	1
2731	REMOVE STRUCTURE - 4' X 2' RCBC	2	LS	1
2731	REMOVE STRUCTURE - 6' X 5' RCBC	2	LS	1
2731	REMOVE STRUCTURE - 8' X 6' RCBC	2	LS	1
2731	REMOVE STRUCTURE - 6' X 4' RCBC	2	LS	1
2731	REMOVE STRUCTURE - 12' X 10' RCBC	2	LS	1
2775	ARROW PANEL	7,14	EACH	2
5950	EROSION CONTROL BLANKET	8,12	SO YD	18382
5952	TEMP MULCH	8	SO YD	485607
5953	TEMP SEEDING AND PROTECTION	8	SO YD	48463
5963	INITIAL FERTILIZER	8	TON	15.3
5964	MAINTENANCE FERTILIZER	8	TON	27
5985	SEEDING AND PROTECTION	8	SO YD	484626

ITEM	DESCRIPTION	NOTES	UNIT	PROJECT TOTALS
5990	SODDING	4	SQ YD	4000
5992	AGRICULTURAL LIMESTONE	8	TON	301
6403	FLEXIBLE DELINEATOR POST - B/W	13	EACH	36
6510	PAVE STRIPING - TEMP PAINT - 4 IN	15	LF	120068
6542	PAVE STRIPING-THERMO-6 IN W	13	LF	60071
6543	PAVE STRIPING-THERMO-6 IN Y	13	LF	56797
6568	PAVE MARKING - THERMO STOP BAR - 24 IN	13	LF	552
6578	PAVE MARKING- THERMO MERGE ARROW	13	EACH	6
6600	REMOVE PAVEMENT MARKER TYPE V		EACH	650
40028	SELECT ROCK FILL EMBANKMENT	18	CU YD	90
10020NS	FUEL ADJUSTMENT		DOLL	166900
10030NS	ASPHALT ADJUSTMENT		DOLL	227836
20191ED	OBJECT MARKER TYPE 3	16	EACH	13
20362ES403	SHOULDER RUMBLE STRIPS - SAWED		LF	54033
20458ES403	CENTERLINE RUMBLE STRIPS		LF	26724
21134ND	REMOVE - STORE AND REINSTALL SIGN		EACH	1
21370ED	LONGITUDINAL SAW CUT- 6 IN		LF	25040
24141EC	REMOVE ASBESTOS PIPE	9	LF	3500
21802EN	G/R STEEL BEAM-S FACE (7 FT POST)		LF	6087.5
23274ENIIF	TURF REINFORCEMENT MAT 1		SQ YD	15958
24489EC	INLAID PAVEMENT MARKER	13	EACH	842
24814EC	PIPELINE INSPECTION		LF	3034

NOTES:

- ① SEE TYPICAL SECTION
- ② EXISTING BOX CULVERTS TO BE REMOVED
STA. 30+36 - 4' X 2' RCBC
STA. 39+42 - 6' X 5' RCBC
STA. 60+85 - 8' X 6' RCBC
STA. 160+93 - 6' X 4' RCBC
STA. 186+73 - 12' X 10' RCBC
- ③ APPROXIMATELY 105 ACRES, THE ROADWAY CONTRACTOR IS RESPONSIBLE FOR REMOVING ANY DEBRIS WITHIN THE UTILITY CORRIDOR FROM WORK PERFORMED BY HIM AND OTHER UTILITY COMPANIES OR CONTRACTORS ASSOCIATED WITH UTILITY RELOCATION ACTIVITIES FOR THIS PROJECT.
- ④ TO BE USED AS DIRECTED BY THE ENGINEER.
- ⑤ FOR CONTROLLING DUST CAUSED BY MAINTAINING TRAFFIC ONLY.
- ⑥ **EARTHWORK QUANTITIES**
COMMON EXC. 146,355 CU YD
DITCH EXCAVATION 2,579 CU YD
DITCH EXC (PIPE DRAIN SUM) 180 CU YD
TRANSVERSE BENCHING 2,048 CU YD
EMBANKMENT BENCHING 31,382 CU YD
TOTAL EXCAVATION 182,544 CU YD

EMBANKMENT 98,389 CU YD
TOTAL EMBANKMENT 98,389 CU YD

THE CONTRACTOR IS ADVISED THAT THE EARTHWORK FIGURES ABOVE ARE SHOWN FOR INFORMATION PURPOSES ONLY. ASSUMPTIONS FOR SHRINK AND SWELL FACTORS ARE THE RESPONSIBILITY OF THE CONTRACTOR.
- ⑦ ARROW PANELS TO BECOME PROPERTY OF THE CONTRACTOR UPON COMPLETION OF THE PROJECT.
- ⑧ QUANTITIES CARRIED OVER FROM THE EROSION CONTROL SUMMARY. ALL EROSION CONTROL QUANTITIES ARE BASED ON THE BOUNDARIES OF ROADWAY CONSTRUCTION ONLY. AN ADDITIONAL EROSION CONTROL PLAN SET MUST BE SUBMITTED FOR UTILITY RELOCATION ACTIVITIES WITHIN THE PROPOSED UTILITY CORRIDOR.
- ⑨ ASBESTOS PIPE UNCOVERED DURING EXCAVATION SHALL BE REMOVED AND DISPOSED OF BY A CERTIFIED TRAINED ASBESTOS SUPERVISOR. THE CONTRACTOR SHALL BE PRESENT DURING REMOVAL AND DISPOSAL OF THE ASBESTOS WATER LINE PIPE. THE CONTRACTOR WILL PROVIDE THE KYTC DISTRICT ENVIRONMENTAL COORDINATOR THE PERSON'S NAME AND HIS CERTIFICATION SHOWING HE OR SHE HAS HAD THE ASBESTOS ABATEMENT SUPERVISOR TRAINING. THAT CERTIFIED PERSON IS ALSO RESPONSIBLE FOR ALL ASBESTOS NOTIFICATIONS. ABATEMENT ACTIVITIES AND DISPOSAL REQUIREMENTS AND REGULATIONS. THE CONTRACTOR WILL PROVIDE THE DISTRICT ENVIRONMENTAL COORDINATOR WITH A SUMMARY OF THE ASBESTOS REMOVAL AND DISPOSAL REPORT THAT WILL INCLUDE SIGNED LANDFILL WASTE MANIFEST AND PHOTOGRAPHS OF ASBESTOS PIPE REMOVAL ACTIVITIES.
- ⑩ ESTIMATED AT 105 LBS. PER SQ. YD. PER INCH OF DEPTH
- ⑪ SEE GEOTECHNICAL NOTES
- ⑫ QUANTITIES CARRIED OVER FROM THE DRAINAGE SUMMARY
CHANNEL LINING CLASS II - 348 TONS SAFELOADING - 13 CU. YD.
EROSION CONTROL BLANKET - 9 SO. YD.
DITCH EXCAVATION - 180 SO. YD.
- ⑬ QUANTITIES CARRIED OVER FROM THE STRIPING SUMMARY
- ⑭ LOCATIONS ARE NOT NOTED IN THE PLANS, TO BE USED AS DIRECTED BY THE ENGINEER.
- ⑮ QUANTITIES FOR DIVERSION - STA. 182+29.05 TO STA. 190+58.80
PAVE STRIPING - TEMP PAINT - 4 IN - W - 1660 LF
PAVE STRIPING - TEMP PAINT - 4 IN - Y - 1660 LF
- ⑯ FOR USE WITH GUARDRAIL END TREATMENT TYPE 1 AND 4A
- ⑰ NOT USED
- ⑱ STA. 30+50 TO STA. 30+86 - CONST. 27 CU YD SELECT ROCK EMB STA. 31+44.50 TO STA. 32+50 - CONST. 63 CU YD SELECT ROCK EMB TO BE USED FOR DRAINAGE. SEE CROSS SECTIONS.
- ⑲ DIVERSION LOCATIONS:
DIVERSION #1
STA. 182+29.05 TO STA. 190+58.80 (K.Y. 56)
SHEET R39
- Ⓣ WATER WELL LOCATIONS:
STA. 235+75.00 (K.Y. 56)
SHEET R33

GENERAL SUMMARY

COUNTY OF	ITEM NO.	SHEET NO.
UNION	2-310.21	R2E

ITEM	DESCRIPTION	NOTES	UNIT	PROJECT TOTALS
439	ENTRANCE PIPE - 12 IN		LF	43
440	ENTRANCE PIPE - 15 IN		LF	221
441	ENTRANCE PIPE - 18 IN		LF	500
443	ENTRANCE PIPE - 24 IN		LF	57
1004	PERFORATED PIPE - 12 IN		LF	98
1650	JUNCTION BOX		EACH	1
1987	DELINEATOR FOR GUARDRAIL B/W		EACH	83
2014	BARRICADE - TYPE III		EACH	40
2091	REMOVE PAVEMENT		SO YD	2692
2101	CEM CONC ENT PAVEMENT - 8 IN		SO YD	337
2159	TEMP DITCH	8	LF	13943
2160	CLEAN TEMP DITCH	8	LF	6971
2200	ROADWAY EXCAVATION	6	CU YD	182544
2223	GRANULAR EMBANKMENT	11	CU YD	7000
2242	WATER	5	MGAL	12
2360	GUARDRAIL TERMINAL SECTION NO. 1		EACH	7
2367	GUARDRAIL END TREATMENT TYPE 1		EACH	8
2391	GUARDRAIL END TREATMENT TYPE 4A		EACH	5
2429	RIGHT-OF-WAY MONUMENT TYPE 1		EACH	149
2432	WITNESS POST		EACH	149
2475	PLUG WATER WELL	20	EACH	1
2483	CHANNEL LINING CLASS II	12	TON	976
2484	CHANNEL LINING CLASS III	12	TON	63
2545	CLEARING AND GRUBBING	3	LS	1
2562	TEMPORARY SIGNS		SO FT	800
2568	MOBILIZATION		LS	1
2569	DEMOBILIZATION		LS	1
2585	EDGE KEY		LF	294
2602	FABRIC-GEOTEXTILE CLASS 1		SO YD	10074
2607	FABRIC-GEOTEXTILE CLASS 2 FOR PIPE		SO YD	11414
2650	MAINTAIN & CONTROL TRAFFIC		LS	1
2651	DIVERSIONS (BY-PASS DETOURS)	19	LS	1
2671	PORTABLE CHANGEABLE MESSAGE SIGN	14	EACH	6
2676	MOBILIZATION FOR MILL & TEXT	2	LS	1
2677	ASPHALT PAVE MILLING & TEXTURING		TON	113
2690	SAFELOADING	12	CU YD	38
2701	TEMP SILT FENCE	8	LF	13943
2703	SILT TRAP TYPE A	8	EACH	46
2704	SILT TRAP TYPE B	8	EACH	91
2705	SILT TRAP TYPE C	8	EACH	26
2706	CLEAN SILT TRAP TYPE A	8	EACH	460
2707	CLEAN SILT TRAP TYPE B	8	EACH	910
2708	CLEAN SILT TRAP TYPE C	8	EACH	260
2726	STAKING		LS	1
2731	REMOVE STRUCTURE - 4' X 2' RCBC	2	LS	1
2731	REMOVE STRUCTURE - 6' X 5' RCBC	2	LS	1
2731	REMOVE STRUCTURE - 8' X 6' RCBC	2	LS	1
2731	REMOVE STRUCTURE - 6' X 4' RCBC	2	LS	1
2731	REMOVE STRUCTURE - 12' X 10' RCBC	2	LS	1
2775	ARROW PANEL	7,14	EACH	2
5950	EROSION CONTROL BLANKET	8,12	SO YD	18382
5952	TEMP MULCH	8	SO YD	485607
5953	TEMP SEEDING AND PROTECTION	8	SO YD	48463
5963	INITIAL FERTILIZER	8	TON	15.3
5964	MAINTENANCE FERTILIZER	8	TON	27
5985	SEEDING AND PROTECTION	8	SO YD	484626

ITEM	DESCRIPTION	NOTES	UNIT	PROJECT TOTALS
5990	SODDING	4	SQ YD	4000
5992	AGRICULTURAL LIMESTONE	8	TON	301
6403	FLEXIBLE DELINEATOR POST - B/W	13	EACH	36
6510	PAVE STRIPING - TEMP PAINT - 4 IN	15	LF	120068
6542	PAVE STRIPING-THERMO-6 IN W	13	LF	60071
6543	PAVE STRIPING-THERMO-6 IN Y	13	LF	56797
6568	PAVE MARKING - THERMO STOP BAR - 24 IN	13	LF	552
6578	PAVE MARKING- THERMO MERGE ARROW	13	EACH	6
6600	REMOVE PAVEMENT MARKER TYPE V		EACH	650
40028	SELECT ROCK FILL EMBANKMENT	18	CU YD	90
10020NS	FUEL ADJUSTMENT		DOLL	166900
10030NS	ASPHALT ADJUSTMENT		DOLL	227836
20191ED	OBJECT MARKER TYPE 3	16	EACH	13
20362ES403	SHOULDER RUMBLE STRIPS - SAWED		LF	54033
20458ES403	CENTERLINE RUMBLE STRIPS		LF	26724
21134ND	REMOVE - STORE AND REINSTALL SIGN		EACH	1
21370ED	LONGITUDINAL SAW CUT- 6 IN		LF	25040
24141EC	REMOVE ASBESTOS PIPE	9	LF	3500
21802EN	G/R STEEL BEAM-S FACE (7 FT POST)		LF	6087.5
23274ENIIF	TURF REINFORCEMENT MAT 1		SO YD	15958
24489EC	INLAID PAVEMENT MARKER	13	EACH	842
24814EC	PIPELINE INSPECTION		LF	3034

NOTES:

- ① SEE TYPICAL SECTION
- ② EXISTING BOX CULVERTS TO BE REMOVED
STA. 30+36 - 4' X 2' RCBC
STA. 39+42 - 6' X 5' RCBC
STA. 60+85 - 8' X 6' RCBC
STA. 160+93 - 6' X 4' RCBC
STA. 186+73 - 12' X 10' RCBC
- ③ APPROXIMATELY 105 ACRES, THE ROADWAY CONTRACTOR IS RESPONSIBLE FOR REMOVING ANY DEBRIS WITHIN THE UTILITY CORRIDOR FROM WORK PERFORMED BY HIM AND OTHER UTILITY COMPANIES OR CONTRACTORS ASSOCIATED WITH UTILITY RELOCATION ACTIVITIES FOR THIS PROJECT.
- ④ TO BE USED AS DIRECTED BY THE ENGINEER.
- ⑤ FOR CONTROLLING DUST CAUSED BY MAINTAINING TRAFFIC ONLY.
- ⑥ **EARTHWORK QUANTITIES**
COMMON EXC. 146,355 CU YD
DITCH EXCAVATION 2,579 CU YD
DITCH EXC (PIPE DRAIN SUM) 180 CU YD
TRANSVERSE BENCHING 2,048 CU YD
EMBANKMENT BENCHING 31,382 CU YD
TOTAL EXCAVATION 182,544 CU YD

EMBANKMENT 98,389 CU YD
TOTAL EMBANKMENT 98,389 CU YD

THE CONTRACTOR IS ADVISED THAT THE EARTHWORK FIGURES ABOVE ARE SHOWN FOR INFORMATION PURPOSES ONLY. ASSUMPTIONS FOR SHRINK AND SWELL FACTORS ARE THE RESPONSIBILITY OF THE CONTRACTOR.
- ⑦ ARROW PANELS TO BECOME PROPERTY OF THE CONTRACTOR UPON COMPLETION OF THE PROJECT.
- ⑧ QUANTITIES CARRIED OVER FROM THE EROSION CONTROL SUMMARY. ALL EROSION CONTROL QUANTITIES ARE BASED ON THE BOUNDARIES OF ROADWAY CONSTRUCTION ONLY. AN ADDITIONAL EROSION CONTROL PLAN SET MUST BE SUBMITTED FOR UTILITY RELOCATION ACTIVITIES WITHIN THE PROPOSED UTILITY CORRIDOR.
- ⑨ ASBESTOS PIPE UNCOVERED DURING EXCAVATION SHALL BE REMOVED AND DISPOSED OF BY A CERTIFIED TRAINED ASBESTOS SUPERVISOR. THE CONTRACTOR SHALL BE PRESENT DURING REMOVAL AND DISPOSAL OF THE ASBESTOS WATER LINE PIPE. THE CONTRACTOR WILL PROVIDE THE KYTC DISTRICT ENVIRONMENTAL COORDINATOR THE PERSON'S NAME AND HIS CERTIFICATION SHOWING HE OR SHE HAS HAD THE ASBESTOS ABATEMENT SUPERVISOR TRAINING. THAT CERTIFIED PERSON IS ALSO RESPONSIBLE FOR ALL ASBESTOS NOTIFICATIONS. ABATEMENT ACTIVITIES AND DISPOSAL REQUIREMENTS AND REGULATIONS. THE CONTRACTOR WILL PROVIDE THE DISTRICT ENVIRONMENTAL COORDINATOR WITH A SUMMARY OF THE ASBESTOS REMOVAL AND DISPOSAL REPORT THAT WILL INCLUDE SIGNED LANDFILL WASTE MANIFEST AND PHOTOGRAPHS OF ASBESTOS PIPE REMOVAL ACTIVITIES.
- ⑩ ESTIMATED AT 105 LBS. PER SQ. YD. PER INCH OF DEPTH
- ⑪ SEE GEOTECHNICAL NOTES
- ⑫ QUANTITIES CARRIED OVER FROM THE DRAINAGE SUMMARY
CHANNEL LINING CLASS II - 348 TONS SAFELOADING - 13 CU. YD.
EROSION CONTROL BLANKET - 9 SO. YD.
DITCH EXCAVATION - 180 SO. YD.
- ⑬ QUANTITIES CARRIED OVER FROM THE STRIPING SUMMARY
- ⑭ LOCATIONS ARE NOT NOTED IN THE PLANS, TO BE USED AS DIRECTED BY THE ENGINEER.
- ⑮ QUANTITIES FOR DIVERSION - STA. 182+29.05 TO STA. 190+58.80
PAVE STRIPING - TEMP PAINT - 4 IN - W - 1660 LF
PAVE STRIPING - TEMP PAINT - 4 IN - Y - 1660 LF
- ⑯ FOR USE WITH GUARDRAIL END TREATMENT TYPE 1 AND 4A
- ⑰ NOT USED
- ⑱ STA. 30+50 TO STA. 30+86 - CONST. 27 CU YD SELECT ROCK EMB
STA. 31+44.50 TO STA. 32+50 - CONST. 63 CU YD SELECT ROCK EMB
EMB TO BE USED FOR DRAINAGE. SEE CROSS SECTIONS.
- ⑲ DIVERSION LOCATIONS:
DIVERSION #1
STA. 182+29.05 TO STA. 190+58.80 (K.Y. 56)
SHEET R39
- ⑳ WATER WELL LOCATIONS:
STA. 235+75.00 (K.Y. 56)
SHEET R33